

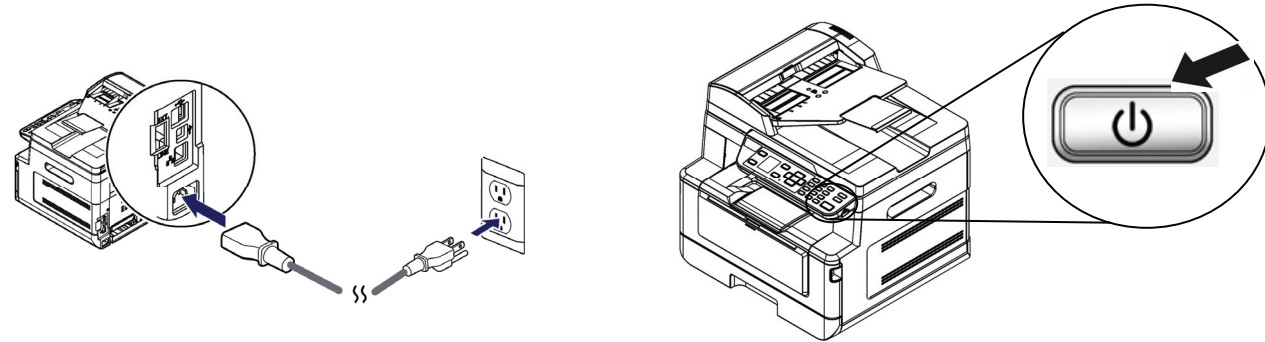


# PANDIGITAL®

Visit [www.pandigital.com](http://www.pandigital.com) for more information.  
Tech Support or Questions Please Call 1-888-909-7888

## 4. Power On

Connect power cord to wall outlet and power on the printer



## 5. Insert the CD to the computer and install the Printer Driver



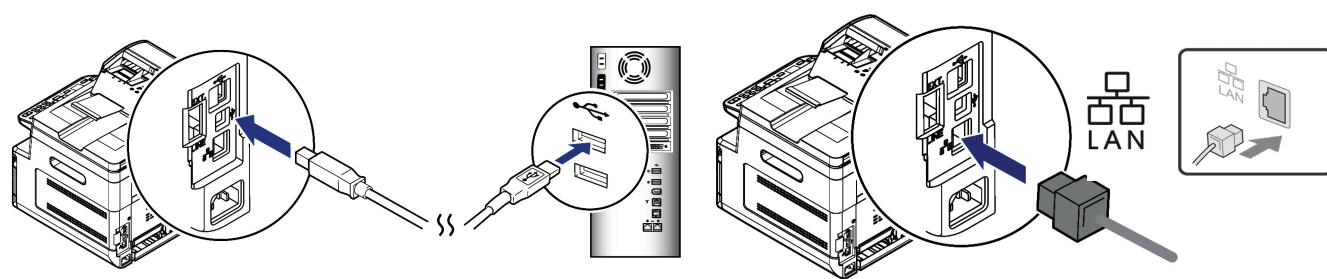
For ore information, see the user manual in the CD. If you do not have a CD-ROM, please download the driver from [www.pandigital.com/download/](http://www.pandigital.com/download/)

## 6. Connect to the Computer

Connect to USB

OR

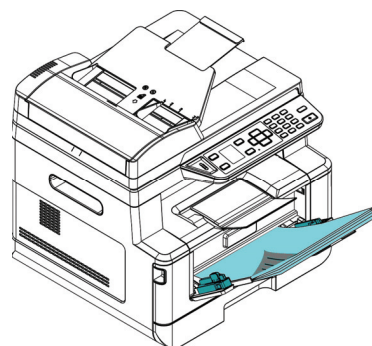
Connect to Network



### How to Print from the Manual Tray

- Pull down the Manual Tray Lever.
- Pull to slide out tray extension.
- Load paper facing down.

Ready to print.

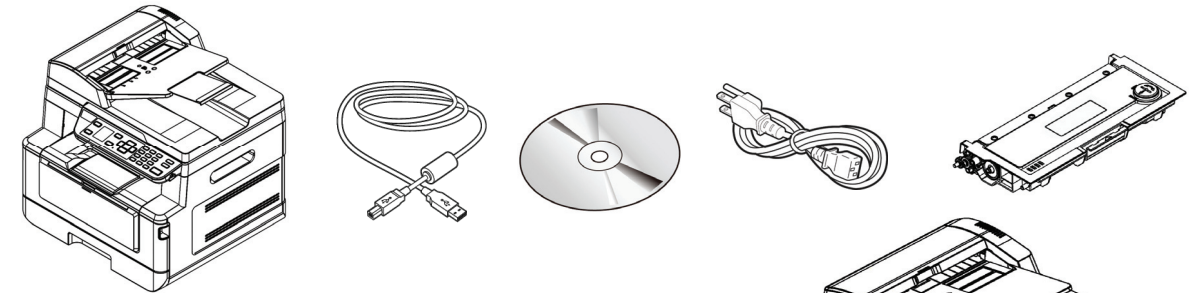


# PANDIGITAL®

## Pandigital M1 Laser Printer

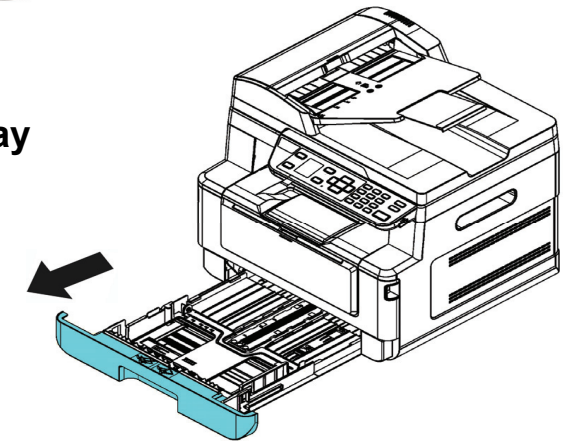
### GETTING STARTED

## 1. What's in the Box – Printer, USB Cable, CD, Quick Guide, Power Cord

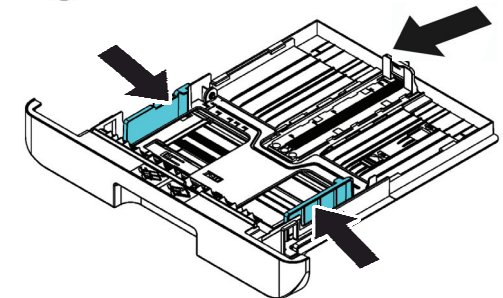


## 2. Load Paper into Main Paper Tray

Step 1. Pull out paper tray

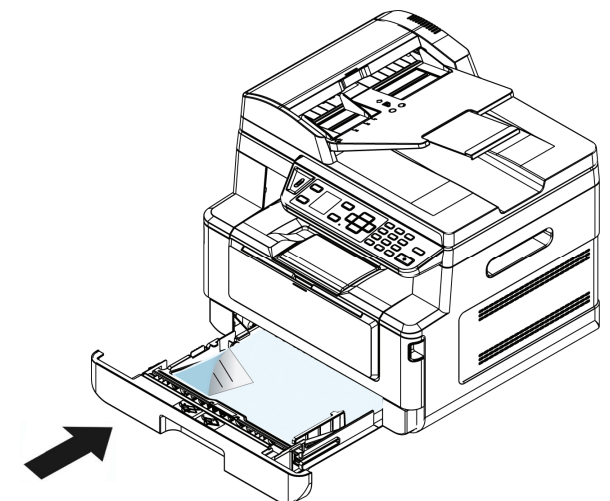


Step 2. Adjust paper tray size

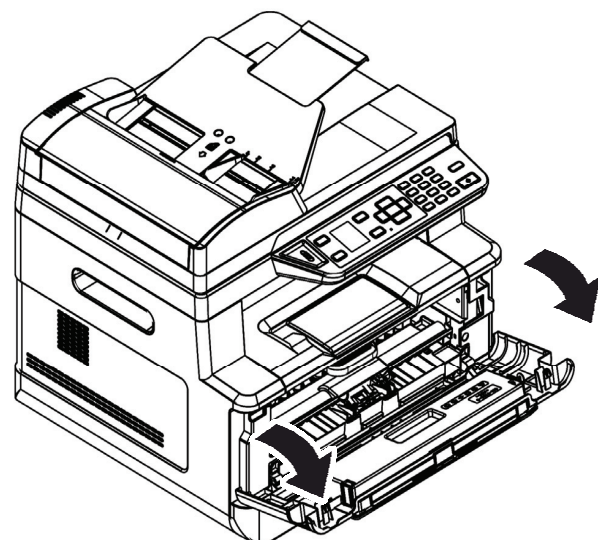


Step 3. Insert Paper to the Tray

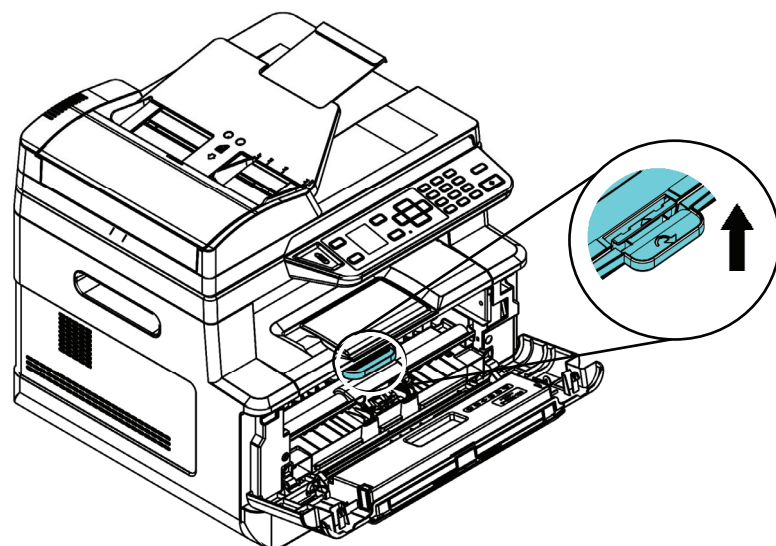
Push to close tray door



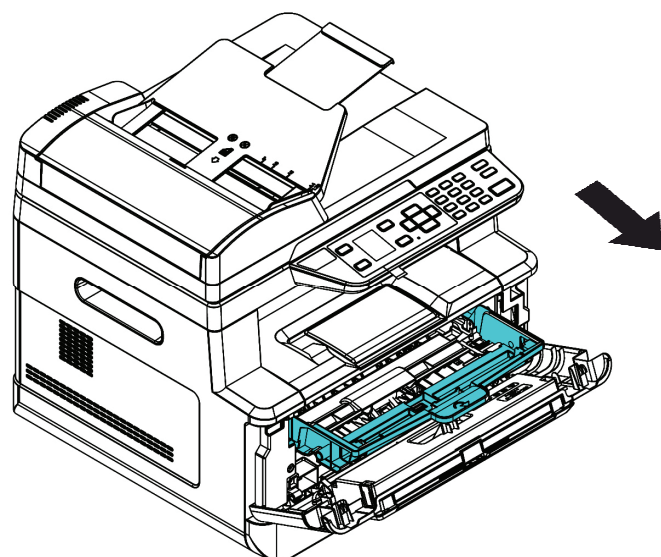
**3. Install the Toner Cartridge**  
Step 1. Pull Down Lever



Step 2. Push and Lift up the drum tray.

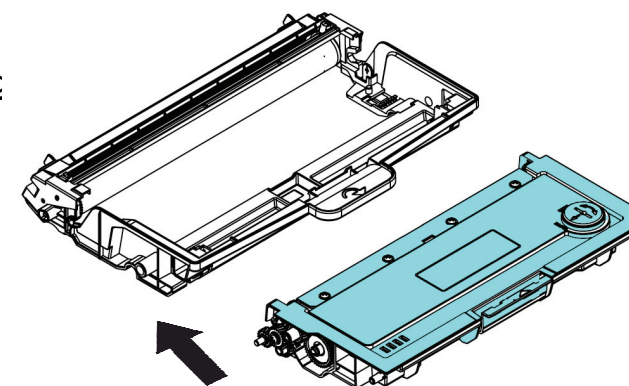


Step 3. Pull out the drum, and remove all the tapes on the drum.

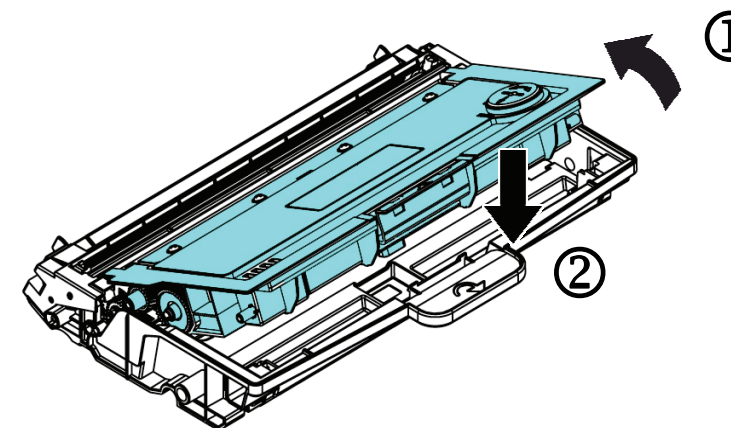


Step 4. Remove the toner cartridge from the plastic bag.

Remove all the tapes.  
Prepare to insert the toner cartridge  
into the drum.



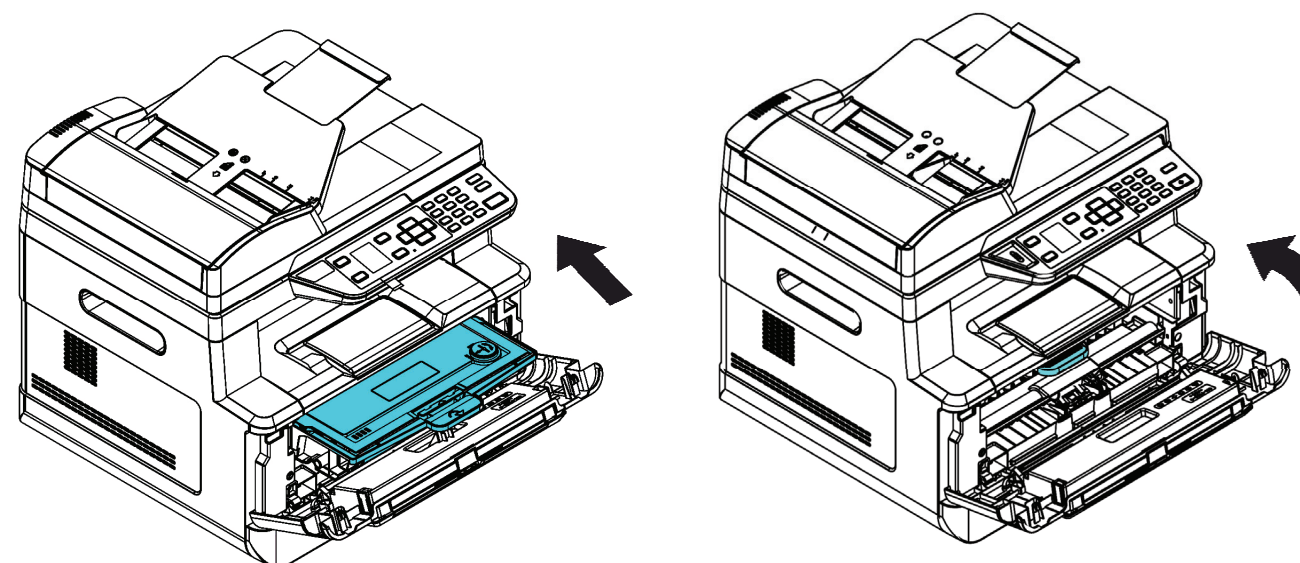
Step 5. Tilt the cartridge upward to slide in, push DOWN to snap in.



Step 6. Insert back the drum tray.

Push IN and DOWN.

Lift up on tray to close door.



251-1237-0V200